

Cli-Mate Pro V2 Thermostat

The Cli-Mate Pro V2 is an intuitive programmable thermostat used to control your underfloor heating.

Featuring a colour screen, 7 day schedule and open door technology, it will keep your home at a comfortable temperature whilst minimising energy use.



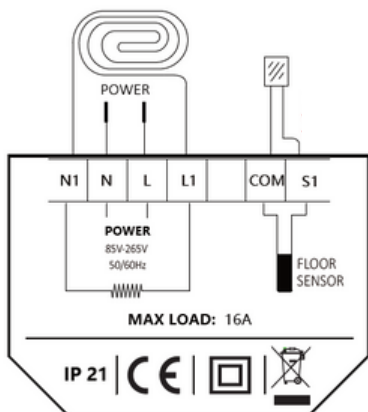
Features

- Large Colour Touch Screen Face
- 7 Day, 4 Period Programme
- Floor Temperature Limiting Function
- Sensor Offset
- Frost Protection
- Holiday Mode
- 2 Year Warranty

Technical Data

Supply Voltage	85-265Vac 50/60Hz
Standby Power Consumption	<1W
Max Load	16 Amp
IP Class	IP21
Cable Specification	2.5mm ²
Housing Material	Anit-flammable PC

Wiring



Step 1:
Loosen the fixing screw located at the bottom of the thermostat to remove the front panel from the back panel.



Step 2:
Connect the thermostat according to the wiring diagrams.



Step 3:
Insert the back panel into the wall box with the screws provided.



Step 4:
Align the top part of the front panel with the back panel and connect them together, then replace the fixing screw at the bottom.